

# PARTS LIST

## MC-S

### CONTENTS

1. MC-S .....	1 ~ 2
---------------	-------

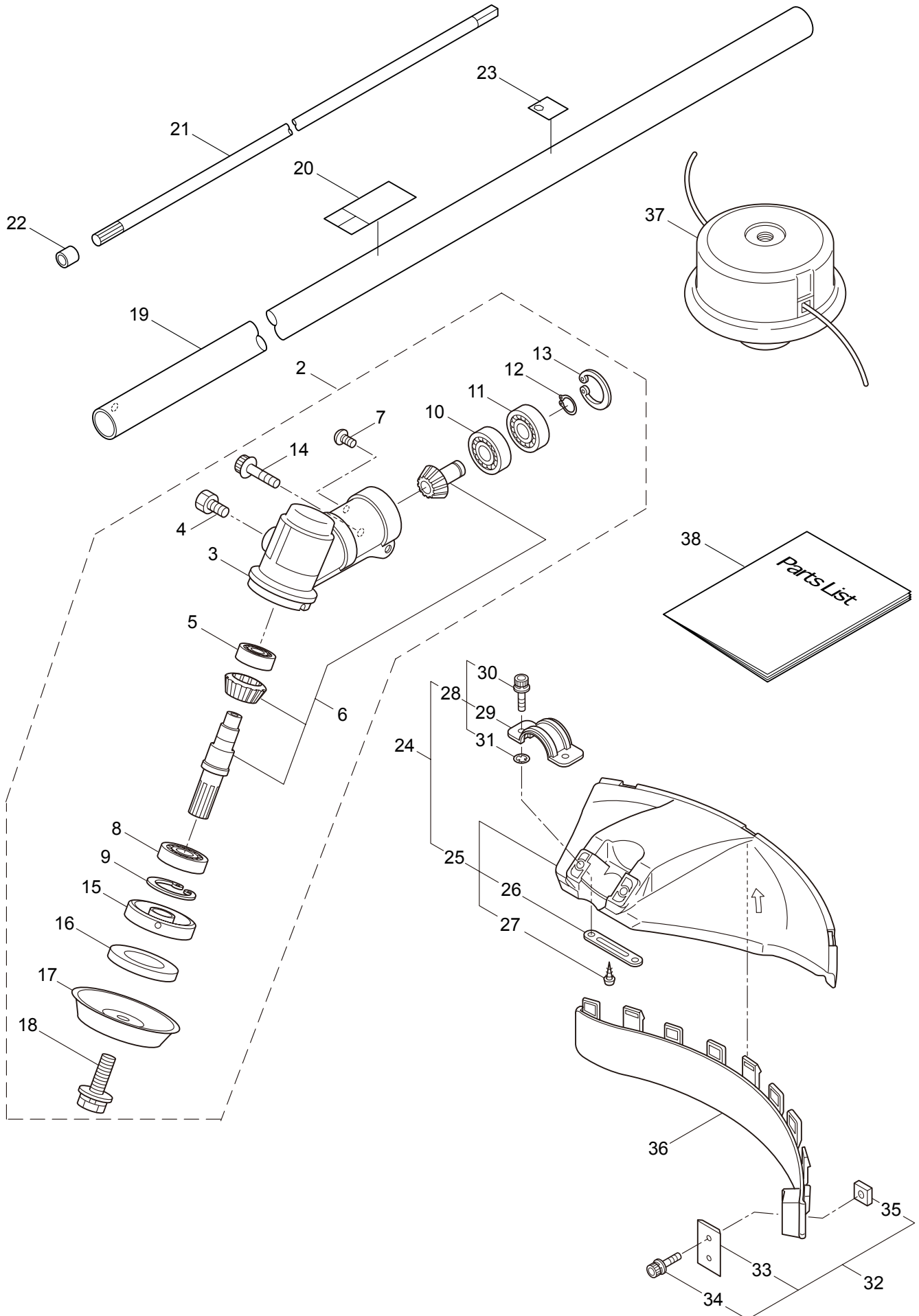
2012. 09.



**MARUYAMA**

P/N 522502-6

# 1. MC-S



Ref. No.	Part No.	Part Name	Q'ty	Remarks
1-1	363436	MC-S	1	
1-2	231880	Gearcase Ass'y	1	Incl.3-18
1-3	225960	Gearcase	1	
1-4	234109	Bolt	1	M8x8
1-5	227990	Bearing	1	#608
1-6	228416	Gear Set	1	
1-7	219087	Cap Screw	1	M5x10
1-8	227991	Bearing	1	#6001DDU
1-9	055185	Snap Ring	1	#28
1-10	227992	Bearing	1	#609
1-11	227993	Bearing	1	#609Z
1-12	228477	Snap Ring	1	#9
1-13	140270	Snap Ring	1	#24
1-14	261246	Cap Screw	1	M5x25
1-15	212986	Boss Adapter	1	
1-16	140275	Clamping Washer	1	
1-17	215547	Stabilizer	1	
1-18	215610	Bolt	1	M8x22,Counterclockwise
1-19	220218	Driveshaft Tube	1	
1-20	223188	Label	1	
1-21	216090	Driveshaft	1	749L
1-22	216079	Stopper	1	
1-23	228043	Label	1	
1-24	232086	Safety Cover Ass'y	1	Incl.25-31
1-25	231252	Safety Cover Ass'y	1	Incl.26,27
1-26	227819	Bracket	1	
1-27	221580	Screw	1	4x8
1-28	232087	Bracket Ass'y	1	Incl.29-31
1-29	227822	Bracket	1	
1-30	220632	Cap Screw	2	M6x30
1-31	231704	Washer	2	6x13xt1.0
1-32	231882	String Cutter Ass'y	1	Incl.33-35
1-33	230747	String Cutter	1	
1-34	261250	Cap Screw	1	M5x20
1-35	228325	Nut	1	
1-36	230748	Cover Extention	1	
1-37	232226	Semi-Auto Head (L)	1	
1-38	522502	Parts List	1	MC-S